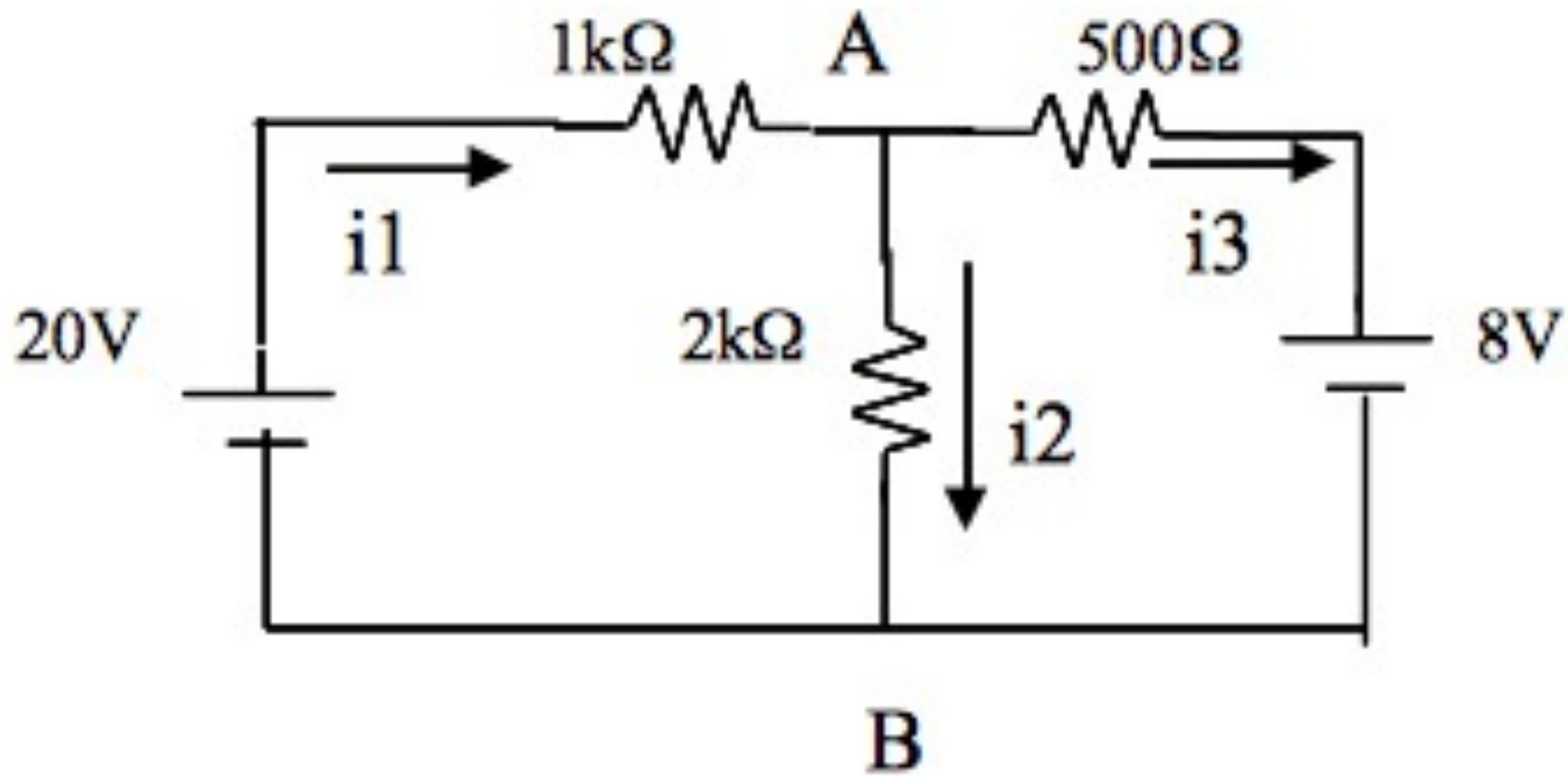


Happy Friday

- Junctions: A: $I_1 - I_2 - I_3 = 0$
B: $-I_1 + I_2 + I_3 = 0$
- L1: $20V - I_1R_1 - I_2R_2 = 0$
L2: $-I_3R_3 - 8V + I_2R_2 = 0$
- We will go over the full problem in a moment.



Electricity Quiz

- Kirchhoff's Rules will be an extra credit problem.
- Static Charges: methods of charging (friction, conduction and induction), attraction and repulsion.
- Circuits: $V=IR$, series circuits, parallel circuits, combined circuits.
- Find the voltage, current and power on each resistor in a circuit.

Research Project

- Due Today: rough draft of lab sheet and short explanation of your topic and the direction you are going.
- Be sure to mention your independent and dependent variables.
- Email me (bbreish@cbsd.org) with your documents by 6:00pm today.

Research Project

- Grab a laptop if you would like one.
- No laptops in the hall please.
- You have the rest of the period.
- I am available after school until 3:15 to answer any questions.